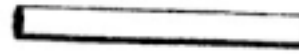
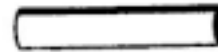


PARTS

6'6" GALVANIZED PIPE
QUANTITY 22



5'8" GALVANIZED PIPE
QUANTITY 10



3 WAY CORNERS
QUANTITY 6



4 WAY CORNERS
QUANTITY 9



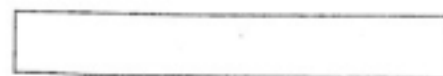
ELASTIC BALL STRAPS
QUANTITY 62



CURTAIN CLIPS
QUANTITY 4

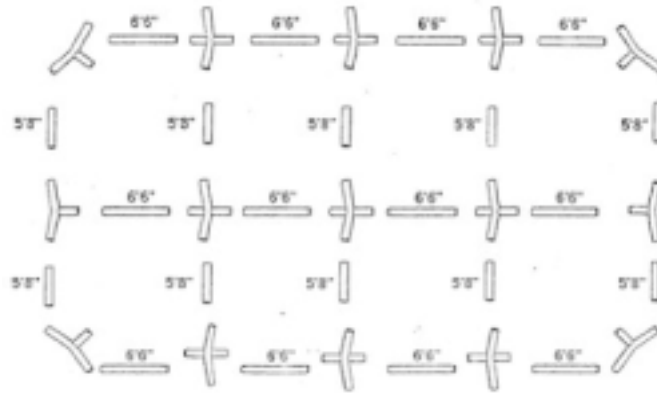


WHITE DRAWSTRING COVER
QUANTITY 1

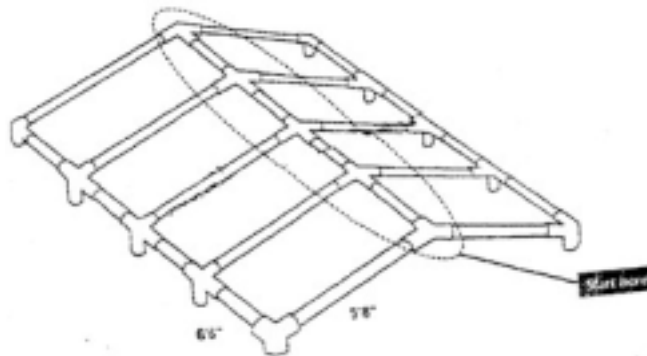


FRAME ASSEMBLY

1. PLACE ALL CORNERS AND PIPE ON THE GROUND. THERE ARE 10 PIECES OF SHORT PIPE USED TO FORM THE ROOF RAFTERS. THE LONG PIPE ARE USED FOR THE LEGS AND TO FORM THE LENGTH OF THE FRAME.

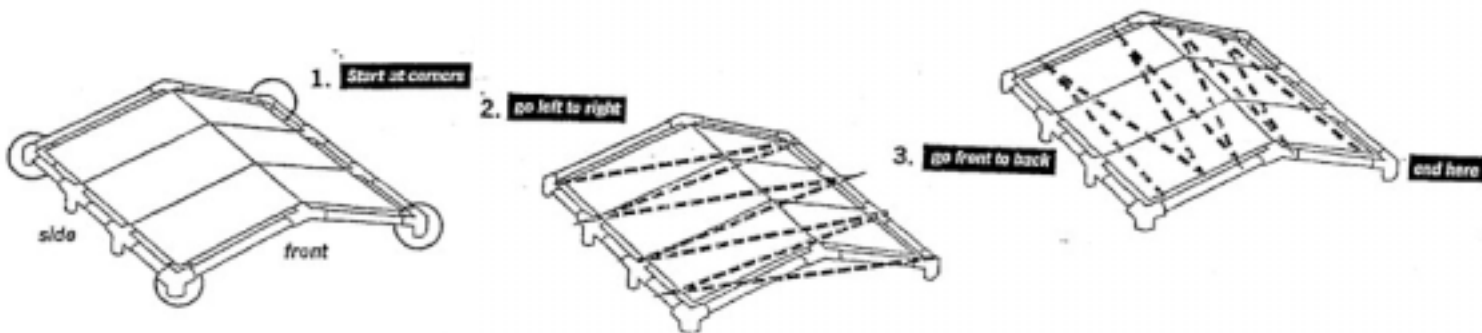


2. CONNECT PIPES TOGETHER STARTING WITH THE CENTER FRAME. THEN ASSEMBLE EACH SIDE.



ATTACHING COVER WITH BALL STRAPS

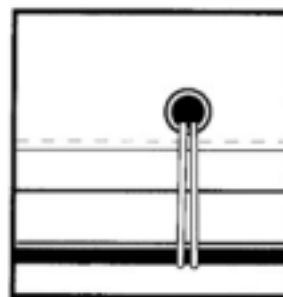
3. UNFOLD THE COVER PUTTING THE GROMMETS ON THE BOTTOM. THIS ALLOWS THE FLAP TO COVER THE OUTSIDE EDGE OF THE FRAME. ONCE UNFOLDED, PLACE THE COVER OVER THE FRAME. BEGIN ATTACHING COVER WITH ELASTIC BALL STRAPS.
1. START BY ATTACHING 2 STRAPS AT EACH OF THE FOUR CORNERS.
 2. CONTINUE ATTACHING STRAPS FROM LEFT TO RIGHT DOWN THE SIDES OF THE CANOPY.
 3. FINALLY, ATTACH STRAPS FROM FRONT TO BACK UNTIL STRAPS ARE SECURE. (ATTACH BALL STRAPS AS SHOWN BELOW IN STEP 4)



4. FIRST INSERT THE CORD OF THE ELASTIC BALL STRAP UNDERNEATH THE COVER AND THROUGH THE GROMMET. THEN PULL CORD UNTIL BALL STOPS. WRAP THE CORD AROUND THE POLE AND THEN AROUND THE BALL. THIS WILL HIDE THE BALL UNDER THE COVER AND CREATE A NEATER LOOK. (FOR BEST FIT FOLLOW DISGRAM IN STEP 3)



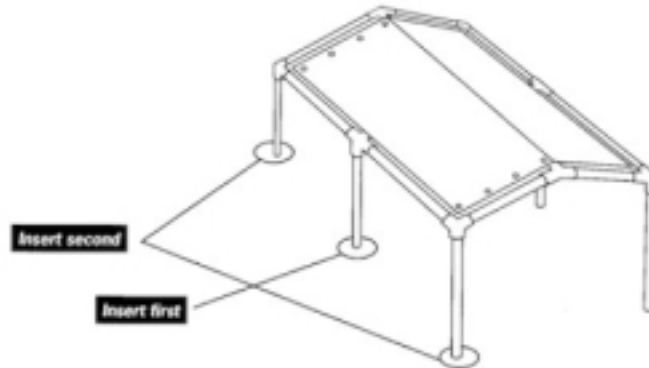
INSIDE VIEW



OUTSIDE VIEW

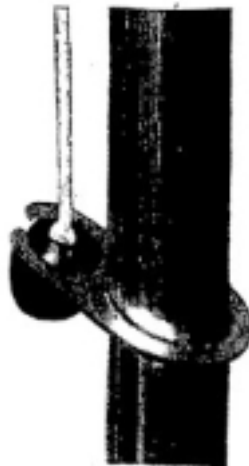
PUTTING LEGS ON CANOPY FRAME

5. INSERT MIDDLE LEGS ON ONE SIDE, THEN INSERT THE END LEGS. REPEAT ON THE OTHER SIDE. ONCE THE LEGS ARE INSERTED, YOUR CANOPY IS A KITE WAITING TO TAKE OFF UNTIL YOU INSTALL THE CANOPY ANCHORS! **SEE THE FOLLOWING PAGE FOR CANOPY ANCHOR INSTALLATION.**



INSTALLATION OF CURTAIN CLIPS

6. CURTAIN CLIPS ARE DESIGNED TO HOLD THE FLAPS OF THE COVER DOWN IN LIGHT WINDY CONDITIONS.
1. SLIP ONE CLIP ONTO EACH OF THE CORNER LEGS.
 2. TO SECURE THE CLIPS ON THE CORNER LEGS USE THE DRAWSTRING SEWN INTO EACH END OF THE COVER. ADJUST THE DRAWSTRING EVENLY ON EACH SIDE OF THE CANOPY BY PULLING THE DRAWSTRINGS ON EACH END OF THE COVER AT THE SAME TIME. INSERT THE BALL ON THE DRAWSTRING INTO THE SLOT OF THE CURTAIN CLIP. PULL THE CLIP DOWN UNTIL TIGHT. PRESSURE FROM THE DRAWSTRING WILL CAUSE THE CLIP TO WEDGE ONTO PIPE.
 3. CURTAIN CLIPS MAY HAVE TO BE RE-TIGHTENED OCCASIONALLY DUE TO STRONG WIND GUSTS.



ANCHOR KIT IS NOT INCLUDED WITH CANOPY.

INSTALLING CANOPY ANCHORS

7. THIS CANOPY IS DESIGNED FOR USE AS A TEMPORARY STRUCTURE THAT ASSEMBLES IN MINUTES WITHOUT TOOLS. AFTER CONSTRUCTION THE CANOPY MUST BE ANCHORED TO PREVENT DAMAGE AGAINST WINDS. CANOPIES MAKE EXCELLENT KITES. IF THE CANOPY LEGS ARE NOT ANCHORED, SEVERE WINDS WILL CAUSE THE FRAME TO FLEX AND UNACHORED LEGS WILL FALL, COLLAPSING THE CANOPY. **IF SEVERE WINDS (OVER 40MPH) ARE EXPECTED, PLEASE REMOVE THE COVER FROM THE FRAME TO PREVENT DAMAGE.**

THE BEST WAY TO ANCHOR YOUR CANOPY IS WITH SCREW-IN GROUND ANCHORS AND ROPE ATTACHED TO EACH LEG. YOU SHOULD TIE ROPE AROUND THE SLIP IN FITTING ON THE TOP OF EACH LEG. MOBILE HOME ANCHORS WILL WORK. IF YOU INTEND TO SECURE YOUR CANOPY MORE PERMANENTLY YOU MAY WANT TO USE A HEAVIER CABLE, SUCH AS 3/16" AIRCRAFT CABLE. POWELL & POWELL SUPPLY CO., INC. OFFERS SEVERAL ANCHORING KITS DEPENDING ON HOW MANY LEGS YOUR CANOPY HAS, OR YOU MAY GO TO YOUR LOCAL HOME IMPROVEMENT CENTER, HARDWARE STORE OR ANY PLACE THAT SELLS OUTSIDE STORAGE BUILDINGS, AND BUY THE PARTS LISTED BELOW. TO ORDER AN ANCHORING KIT FOR YOUR CANOPY FROM OUR COMPANY, CALL 1-800-800-6296 AND ASK FOR THE SALES DEPARTMENT.

IF YOUR CANOPY RESTS ON CONCRETE, WE OFFER CANOPY FEET. THESE ARE MADE OF GALVANIZED STEEL TUBING WITH A GALVANIZED PLATE WELDED ON THE BOTTOM. THERE ARE HOLES DRILLED INTO THE PLATE FOR EASIER BOLTING TO THE CONCRETE. THESE ARE AVAILABLE IN 6", 24", AND 60" LENGTHS. WHEN SCREW IN ANCHORS AND ROPE ARE NOT USED, ALL LEGS NEED TO BE BOLTED INTO THE FITTING AT THE TOP OF EACH LEG. TO ORDER CANOPY FEET FOR YOUR CANOPY FROM OUR COMPANY CALL 1-800-800-6296 AND ASK FOR THE SALES DEPARTMENT.

PARTS NEEDED TO ANCHOR YOUR CANOPY

SCREW-IN ANCHORS
QUANTITY 4, 6, 8 OR 10

NYLON ROPING
50, 75, 100 OR 125 FEET

INSTRUCTIONS

1. MEASURE OUT FROM EACH LEG AT LEAST 36".
2. SCREW ANCHOR INTO GROUND. LEAVE ABOUT 2 INCHES BETWEEN THE GROUND AND THE EYE ON EACH ANCHOR.
3. TIE ROPE AROUND FITTING ON THE TOP OF EACH LEG.
4. TIE OTHER END OF ROPE TO THE ANCHOR AND PULL TIGHT.
5. SCREW ANCHOR UNTIL THE BOTTOM OF THE EYE IS FLUSH WITH THE GROUND. THIS WILL MAKE THE ROPE TIGHTER.
6. CHECK AND TIGHTEN ROPE FREQUENTLY.