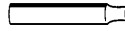


# PARTS

**68" Galvanized Pipe**  
*Quantity 18*



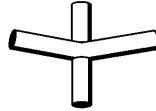
**52" Galvanized Pipe**  
*Quantity 6*



**3 Way Corners**  
*Quantity 6*



**4 Way Corners**  
*Quantity 3*



**Elastic Ball Straps**  
*Quantity 50*



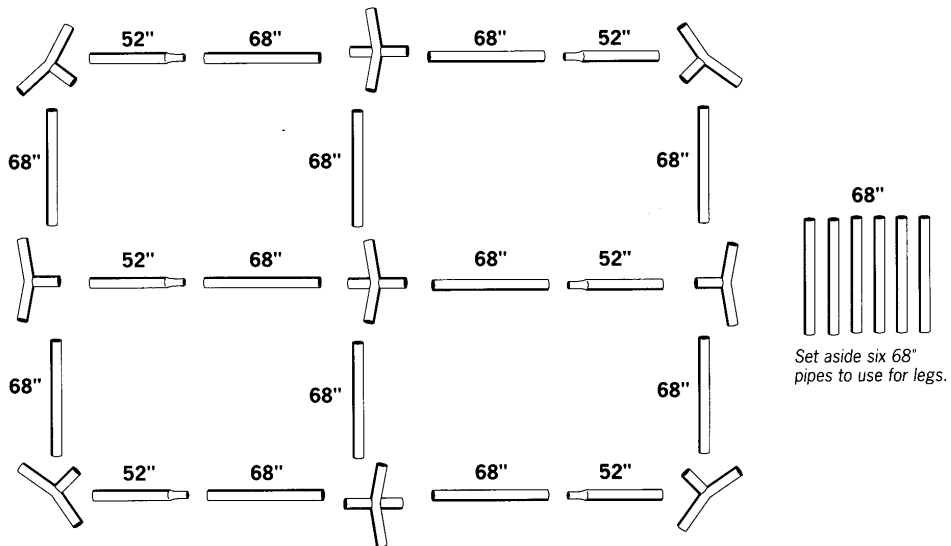
**UV Rated Canopy Cover**  
*Quantity 1*



# FRAME ASSEMBLY

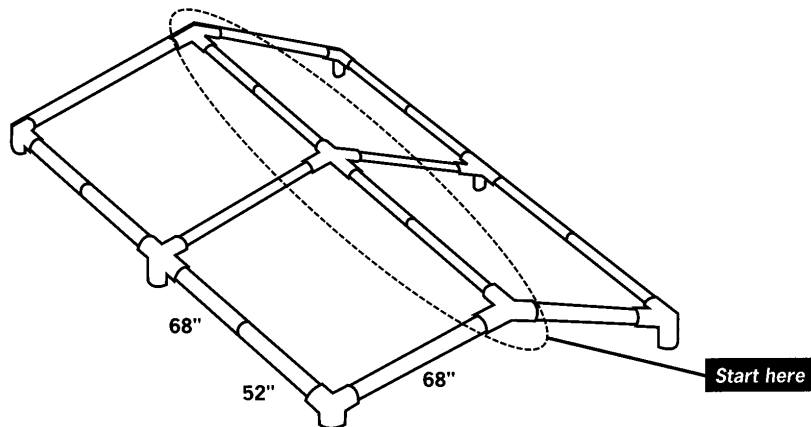
1

Place all corners and pipes on the ground.  
Push the male end of the 52" pipe into the 68" pipe.



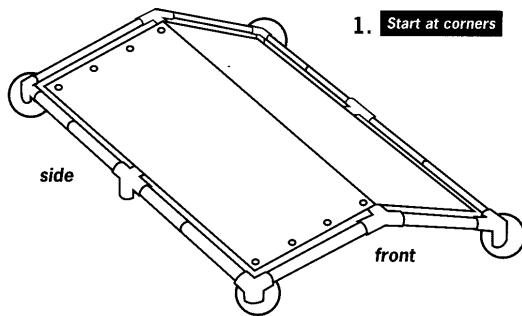
2

Connect pipes together starting with the center frame.  
Then assemble each side.

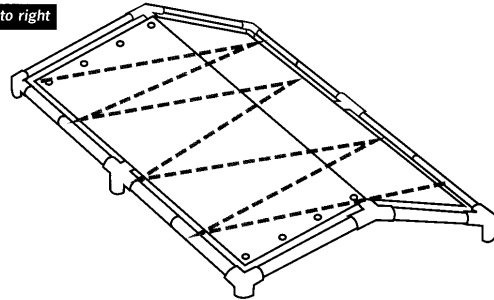


## ATTACHING COVER WITH BALL STRAPS

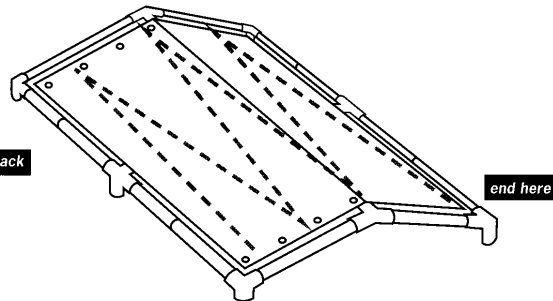
- 3** Unfold the cover putting the grommets on the bottom. This allows the flap to cover the outside edge of the frame. Once unfolded, place the cover over the frame. Begin attaching cover with elastic ball straps.
1. Start by attaching 2 straps at each of the four corners.
  2. Continue attaching straps from left to right down the sides of the canopy.
  3. Finally, attach straps from front to back until all straps are secure.
- (Attach ball straps as shown on page 4)*



2. go left to right

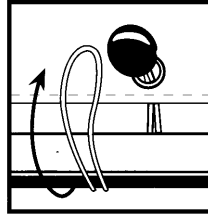


3. go front to back

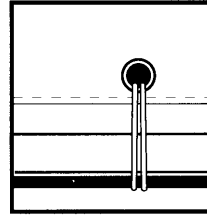


## ATTACHING COVER WITH BALL STRAPS

- 4** First insert the cord of the elastic ball strap underneath the cover and through the grommet. Then pull cord until ball stops. Wrap the cord around the pole and then around the ball. This will hide the ball under the cover and create a neater look. **(For best fit follow diagram in step 3)**



INSIDE VIEW



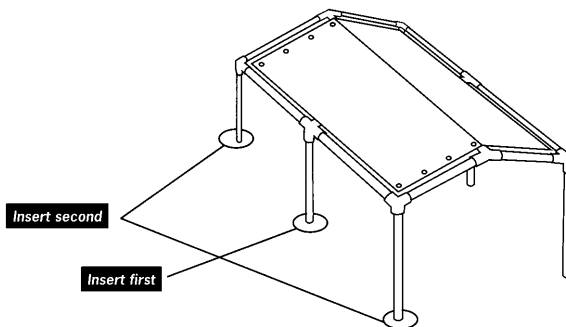
OUTSIDE VIEW

### TO GET A TIGHTER FIT ON CANOPY COVER

- The ball straps are long enough to accommodate various cover lengths. If your straps are too long for a tight fit they can be shortened by making an additional knot in the strap cord.
  - Slide the ball upwards to reveal the tied knot.
  - Tie a new knot above the old one. The length taken up here determines how short the strap becomes.
  - Slip the ball down over the new knot.
  - Cut off the excess cord.

## PUTTING LEGS ON CANOPY FRAME

- 5** First insert both middle legs on one side, then insert the end legs. Repeat on the other side. Once the legs are inserted, your canopy is a kite waiting to take off until you install the canopy anchors! **See the following page for canopy anchor installation.**



**Anchor Kit is NOT included with canopy.**

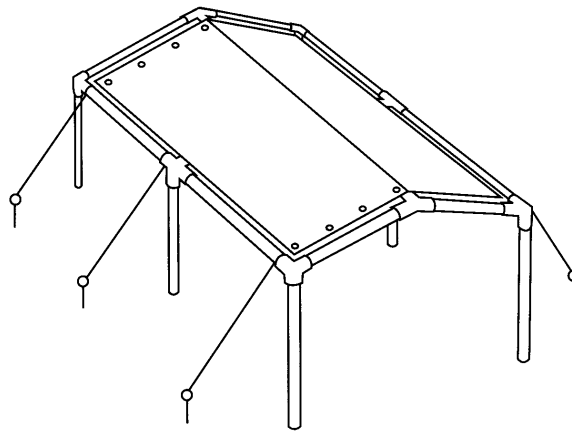
## **ABOUT CANOPY ANCHORS**

**7**

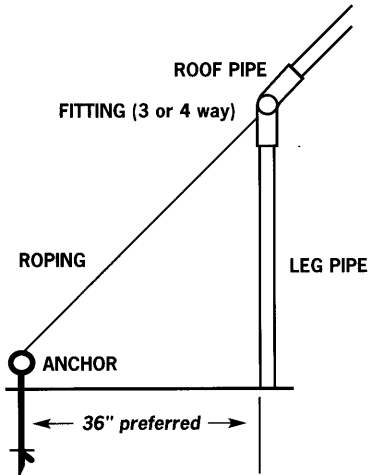
This canopy is designed for use as a temporary structure that assembles in minutes without tools. After construction the canopy must be securely anchored to prevent damage against winds. Canopies make excellent kites. If the canopy legs are not anchored, severe winds will cause the frame to flex and unanchored legs will fall, collapsing the canopy. **If severe winds (over 40mph) are expected, please REMOVE the cover from the frame to prevent damage.**

The best way to anchor your canopy is with screw-in ground anchors and cable/rope attached to each leg. You should tie the cable/rope around the slip in fitting on the top of each leg. Mobile home anchors will work. If you intend to secure your canopy more permanently you may want to use a heavier cable, such as 3/16" aircraft cable. Powell & Powell offers several Anchoring Kits depending on how many legs your canopy has, or you may go to your local home improvement center, hardware store or any place that sells outside storage buildings. and buy the parts listed below. To order an Anchoring Kit for your canopy from our company, call 1-800-800-6296 and ask for the sales department.

If our canopy rests on concrete, we offer Canopy Feet. These are made of galvanized steel tubing with a galvanized plate welded on the bottom. There are holes drilled into the plate for easier bolting to the concrete. These are available in 6", 24", and 60" lengths. When screw in anchors and cable/rope are not used, all legs need to be bolted into the fittings at the top of each leg. To order Canopy Feet for your canopy from our company call 1-800-800-6296 and ask for the sales department.



## INSTALLING CANOPY ANCHORS



### PARTS NEEDED TO ANCHOR YOUR CANOPY

#### Screw-in Anchors

Quantity 4, 6 or 8

#### Nylon Roping

50, 75, or 100 feet

### INSTRUCTIONS

1. Measure out from each leg at least 18". (**36" preferred**)
2. Screw anchor into the ground. Leave about 2 inches between the ground and the eye on each anchor.
3. Tie cable/rope around fitting on the top of each leg.
4. Tie other end of cable/rope to the anchor and pull tight.
5. Screw anchor until the bottom of the eye is flush with the ground. This will make the cable or rope tighter.
6. Check and tighten rope frequently.

## IMPORTANT: PLEASE READ CAREFULLY

**Because Powell & Powell Supply has no control over wind or snow, we are in no way responsible for damage caused by the canopy or to the canopy. We suggest you contact your insurance carrier for notification just as you would for any other outside structure.**

## OTHER CAUTIONS

- **Do not** cook underneath canopy.
- **Do not** ignite fireworks underneath canopy.
- **Do not** bleach cover to clean.
- **Do not** dry clean.
- **Do not** wash in washing machine or dry in dryer. **\*Hand wash with mild soap and water.**
- **Remove** cover before a storm (if possible).
- Keep snow brushed off cover if it is snowing.
- **This is a temporary structure and is not recommended as a permanent structure.**