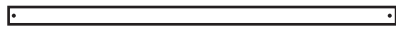


C81220PC-24 12X20 UNIVERSAL CANOPY INSTRUCTIONS



6X6HTB = 9 pc 78 inch Pipe with Buttons



6X6HT = 16 pc 78 inch Pipe



4WHTB = 6 PC
4-way fitting



3WHTB = 6 PC
3-way fitting



PPFOOT = 8 PC
foot pads



TFC1220W = 1 pc 12 X 20 True Fit Cover

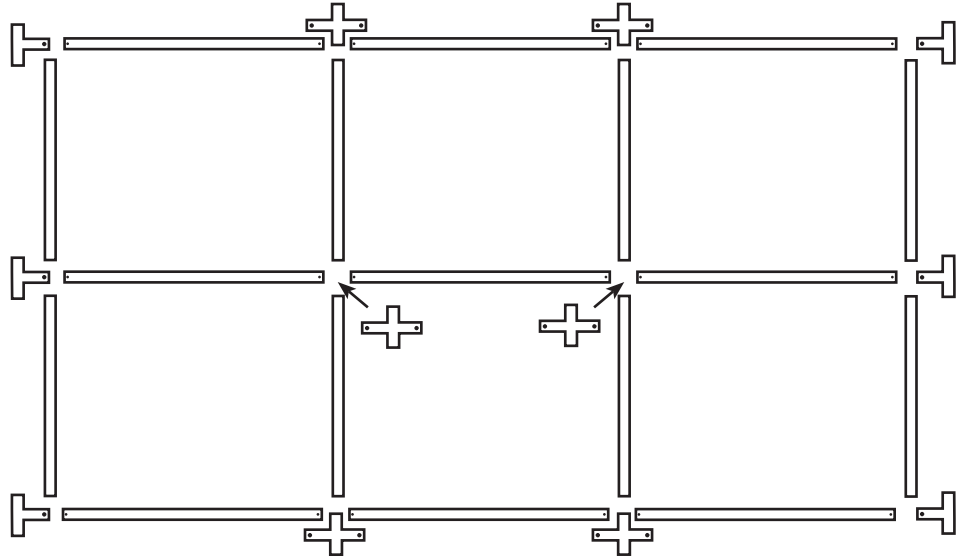


PTCL1020SVS = 4 pc Short Valance Straps

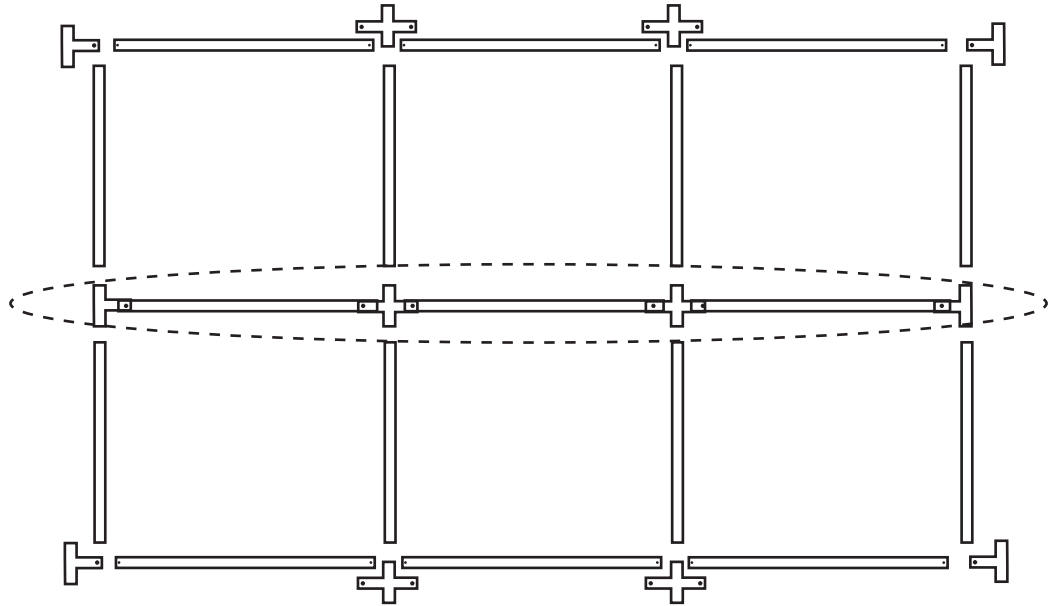


CCLIP = 8 pc Curtain Clips

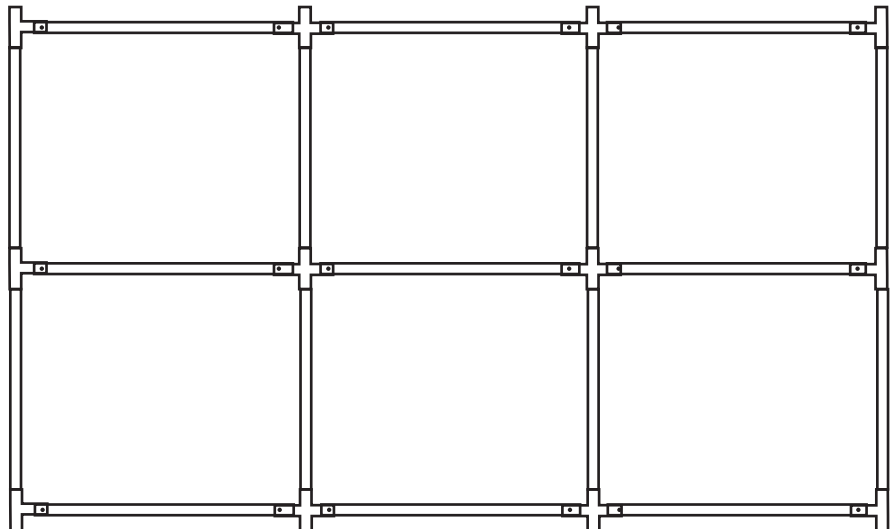
1) Layout Canopy Parts on Ground.



2) Assemble Frame Starting with Center Ridge.



3) Completed Frame Should Now Look Like This.

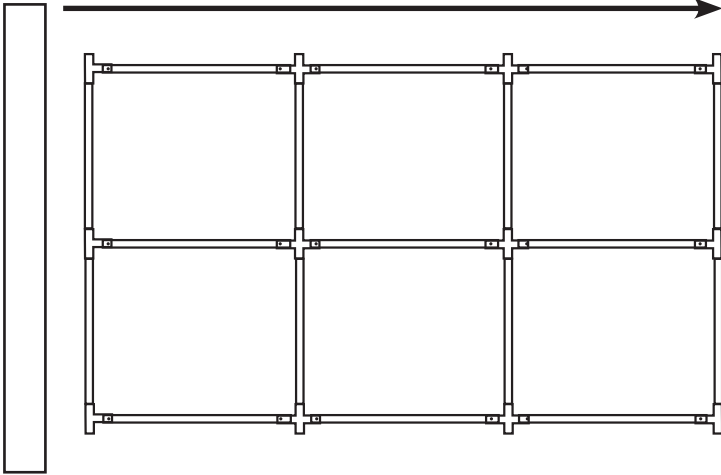


WARNING:

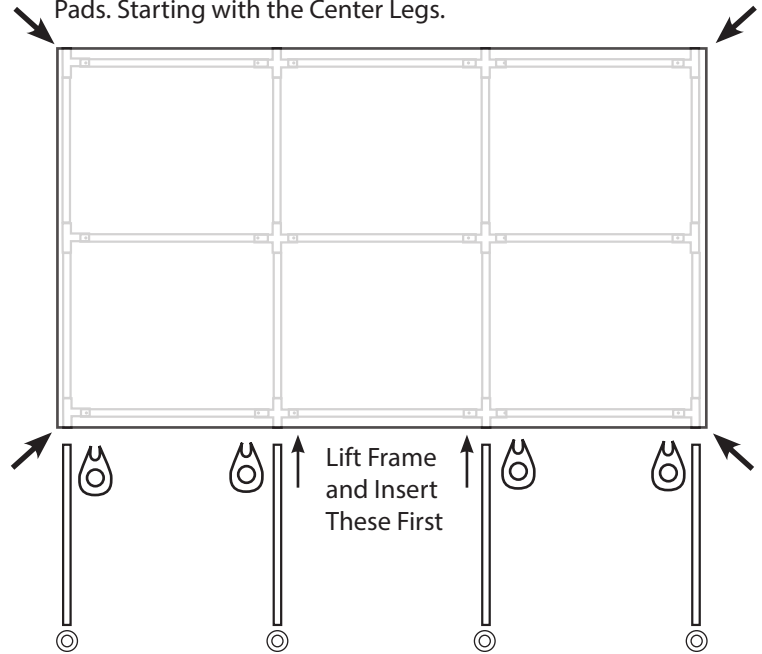
Keep all flame and heat sources away from this tent fabric. Meets the flammability requirements of CPAI-84. It is not fire proof. The fabric will burn if left in continuous contact with any flame source. For warranty and return authorization information, please visit our support page on our website at www.kingcanopy.com or www.picamericaltd.com

C81220PC-24 12X20 UNIVERSAL CANOPY INSTRUCTIONS

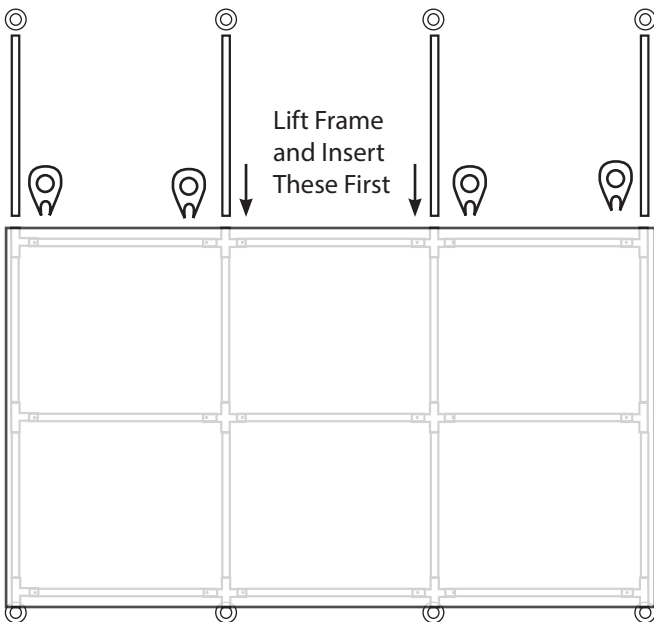
4) Place Cover on Ground at One End of the Frame and Pull it Over the Frame as Shown Below.



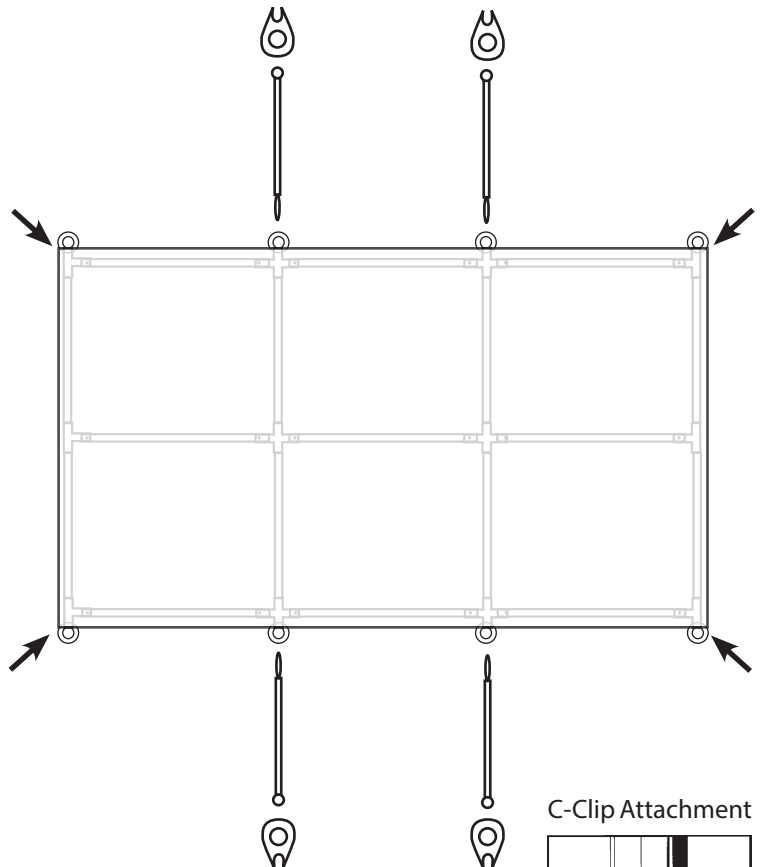
5) Secure the 4 Corners from Underneath with the Corner Straps Sewn in the Corners. Slip a C-Clip on to each the Legs. Lift one Side of the Canopy and Attach the Legs and Foot Pads. Starting with the Center Legs.



6) Lift the Opposite Side of the Canopy and Attach the Legs and Foot Pads in Same Way. Begin with the Center Legs.



7) Fasten the Drawstring to the C-Clip at Each Corner and Tighten by Pulling the Cord Down and Hooking it on to the C-Clip. Clip the Center Leg Valance Straps to the Cover and Secure Them to the C-Clip. Tighten Them by Pulling Down and Hooking on to the C-Clips.



SAFETY & CARE INFORMATION

Always use your best judgment. **DO NOT** use canopy as a permanent cover. They are for **TEMPORARY USE ONLY**. Damages due to weather conditions are not warranted. **DO NOT** set up on a steep incline. Never set up in windy, rainy, or snowy conditions. Canopy is not intended to serve as protection from such conditions. Use for shade only. Disassemble and properly store your canopy after each use. **DO NOT** let snow or rain accumulate on top. Always use an anchoring system. Keep your canopy away from all fire sources. **Never leave your canopy unattended!**

C-Clip Attachment

