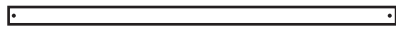


# CHT1020EN TRUE 10X20 UNIVERSAL ENCLOSED CANOPY INSTRUCTIONS



6X6HTB = 9 pc 78 inch Pipe with Buttons



6X6HT = 8 pc 78 inch Pipe



5X3HT = 8 pc 63 inch Pipe



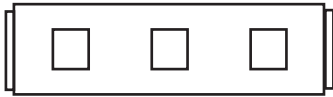
4WHTB = 6 PC  
4-way fitting



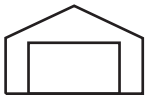
3WHTB = 6 PC  
3-way fitting



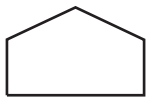
PFOOT = 8 PC  
foot pads



T81020SWWF-W = 2 pc Sidewalls w/ Flaps & Windows



TF1020EWZF = 1 pc Endwall w/ Flaps & Zippers



TF1020EWF = 1 pc Endwall w/ Flaps



TFC1020W = 1 pc 10 X 20 True Fit Cover

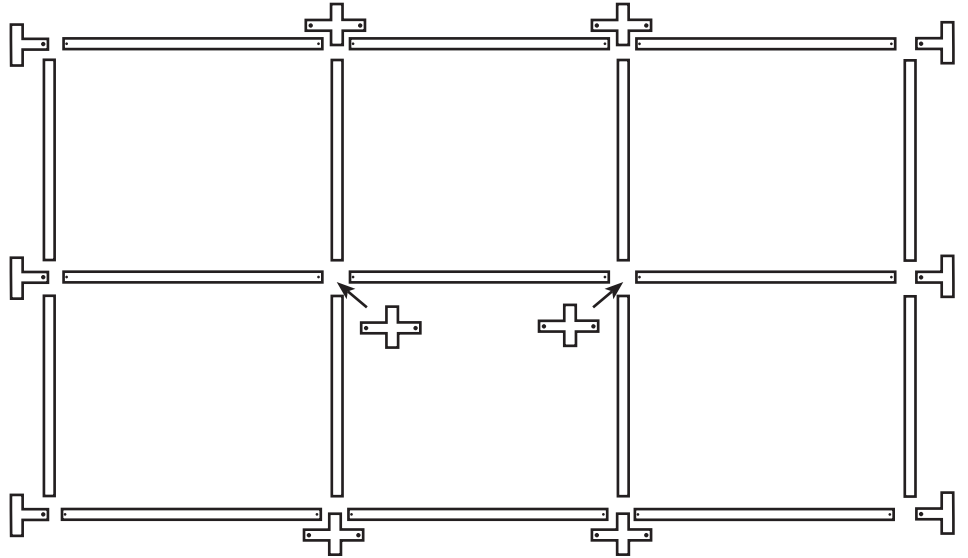


PTCL1020VS = 4 pc Valance Straps

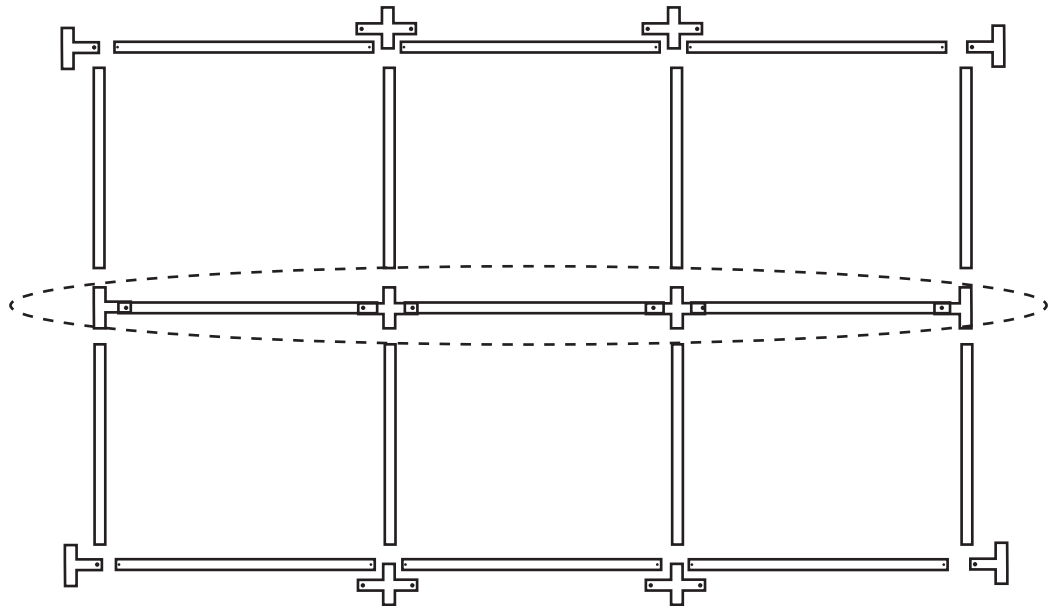


CCLIP = 4 pc Curtain Clips

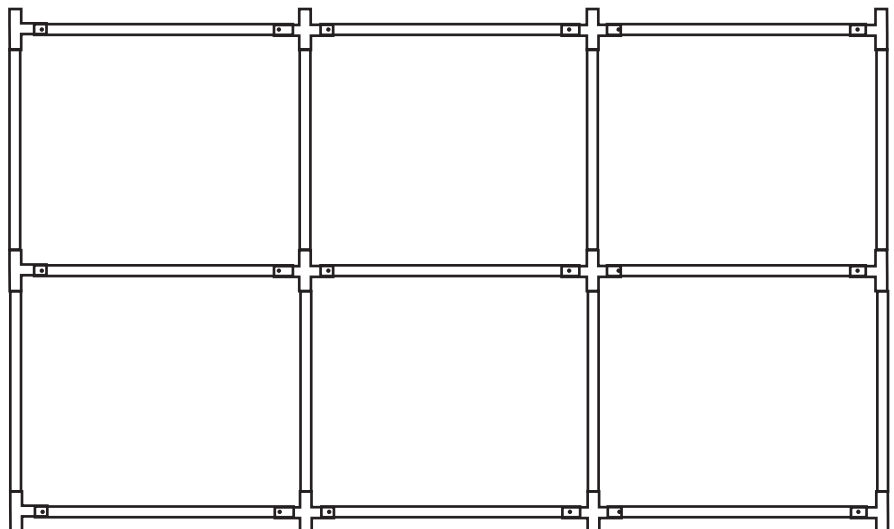
## 1) Layout Canopy Parts on Ground.



## 2) Assemble Frame Starting with Center Ridge.



## 3) Completed Frame Should Now Look Like This.

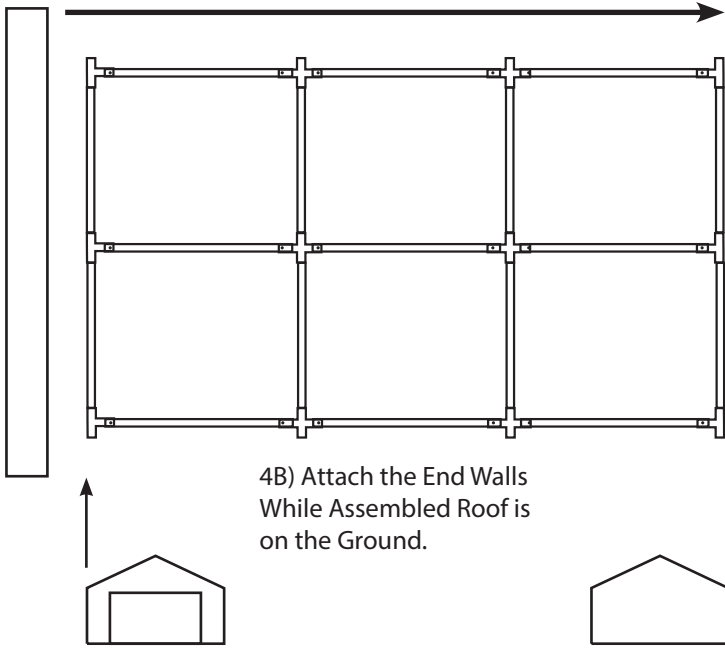


### WARNING:

Keep all flame and heat sources away from this tent fabric. Meets the flammability requirements of CPAI-84. It is not fire proof. The fabric will burn if left in continuous contact with any flame source. For warranty and return authorization information, please visit our support page on our website at [www.kingcanopy.com](http://www.kingcanopy.com) or [www.picamericaltd.com](http://www.picamericaltd.com)

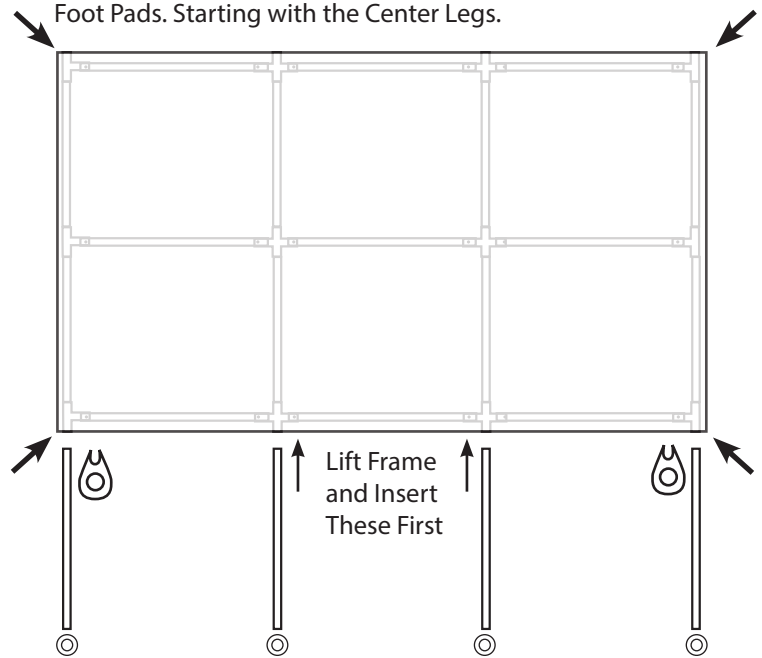
# CHT1020EN TRUE 10X20 UNIVERSAL ENCLOSED CANOPY INSTRUCTIONS

4A) Place Cover on Ground at One End of the Frame and Pull it Over the Frame as Shown Below.

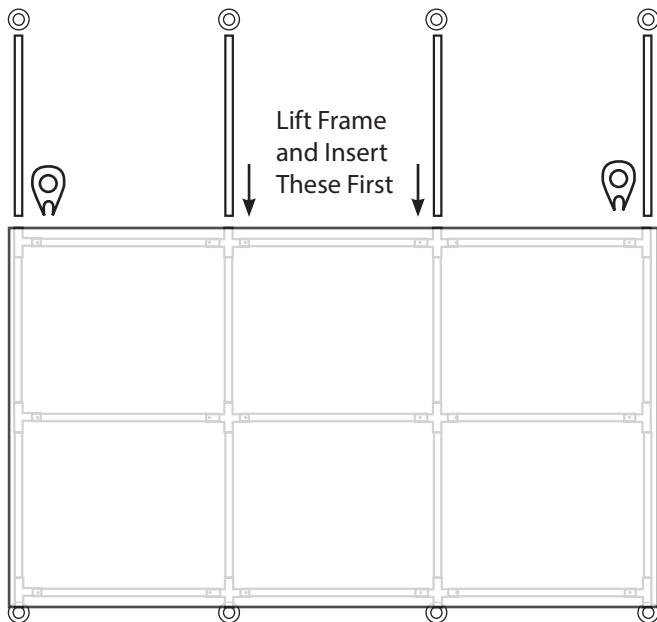


4B) Attach the End Walls While Assembled Roof is on the Ground.

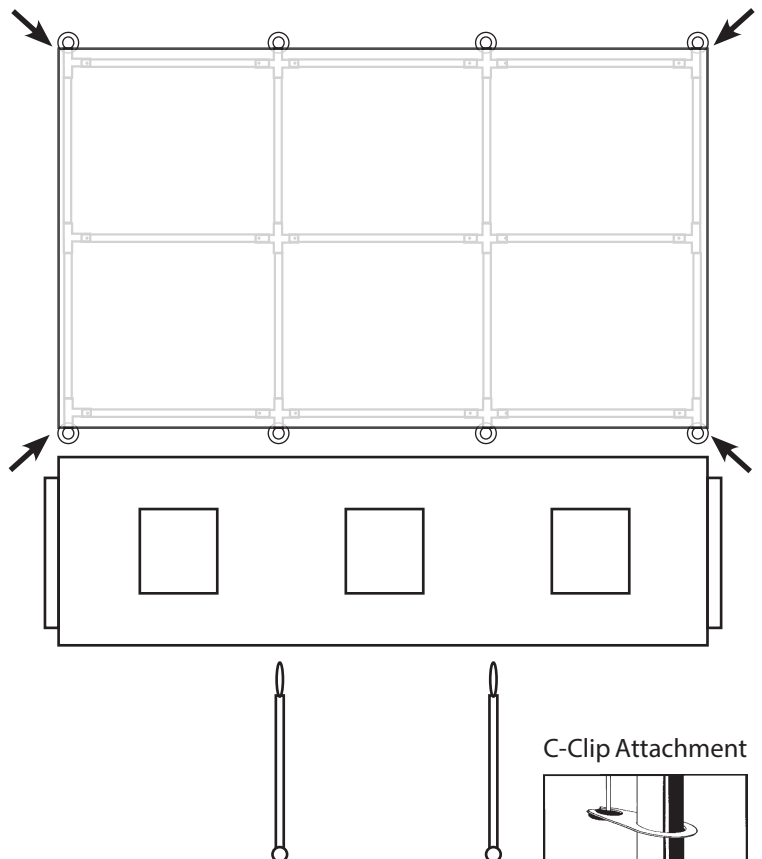
5) Secure the 4 Corners from Underneath with the Corner Straps Sewn in the Corners. Slip a C-Clip on to the Corner Legs. Lift one Side of the Canopy and Attach the Legs and Foot Pads. Starting with the Center Legs.



6) Lift the Opposite Side of the Canopy and Attach the Legs and Foot Pads in Same Way. Begin with the Center Legs.



7) Attach the Side Walls with the Straps to the Frame on Both Sides, then Attach the Valance Straps to the Center Legs and Hook on to the Foot Pads and Tighten. Lastly, Fasten the Drawstring to the C-Clip at Each Corner and Tighten by Pulling the Cord Down and Hooking it into the Clip. Secure the Flaps on the Side Walls by Wrapping Them Around the Outside of Pole and Attaching to the End Walls.



## SAFETY & CARE INFORMATION

Always use your best judgment. **DO NOT** use canopy as a permanent cover. They are for **TEMPORARY USE ONLY**. Damages due to weather conditions are not warranted. **DO NOT** set up on a steep incline. Never set up in windy, rainy, or snowy conditions. Canopy is not intended to serve as protection from such conditions. Use for shade only. Disassemble and properly store your canopy after each use. **DO NOT** let snow or rain accumulate on top. Always use an anchoring system. Keep your canopy away from all fire sources. **Never leave your canopy unattended!**

C-Clip Attachment

